



IP68 快速防水接线器/Quick waterproof connector

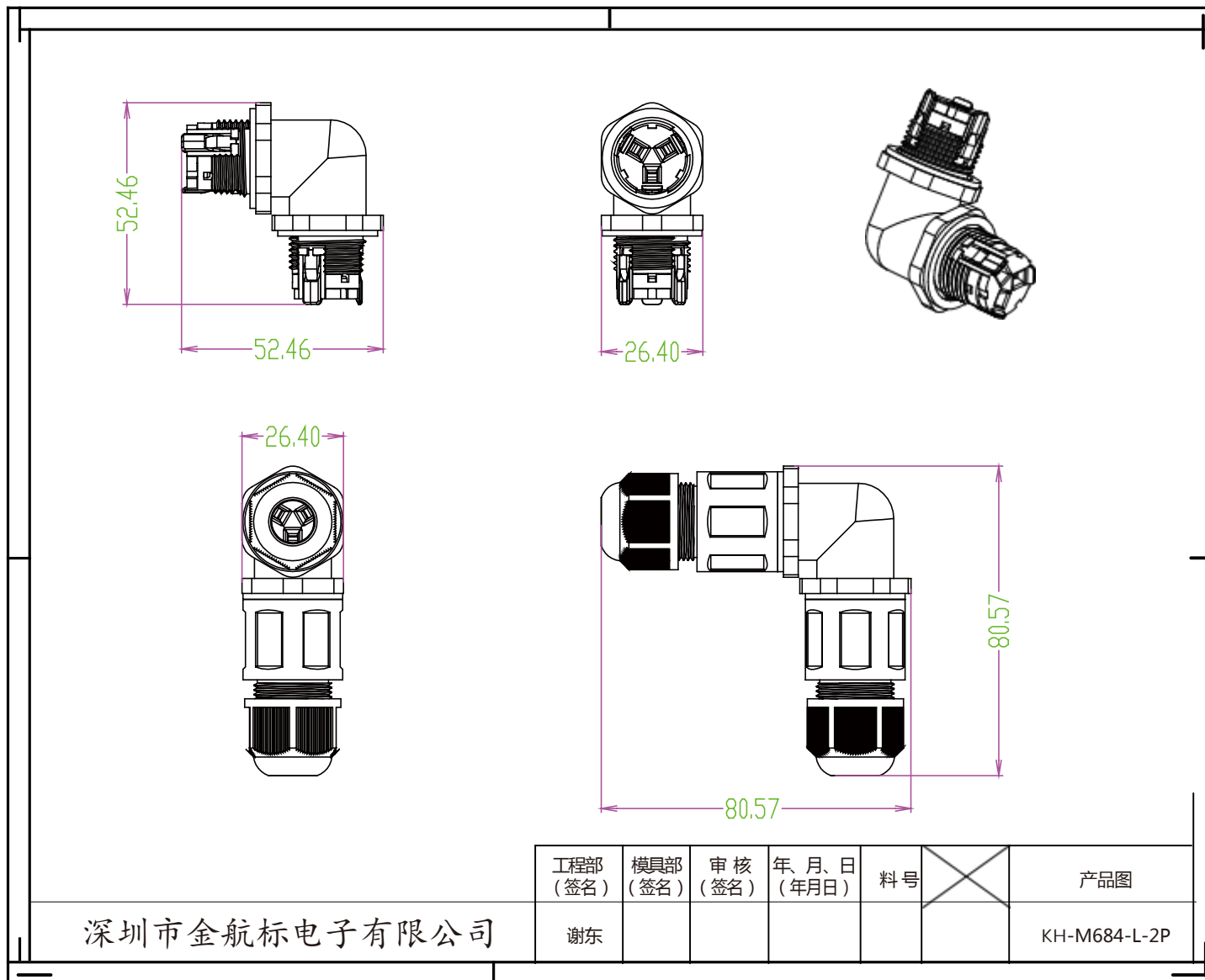
KH-M684-L-2P



产品参数/Technical data

型号 Model	KH-M684-L-2P	
材料 Material	防火阻燃 Fire and flame retardant UL94V-2	
额定输出 Rated output	IEC/NSW:24A 450VAC ETL:10A 300VAC	
防护等级 IP code	IP68	
接线内芯 Terminal	2P/3P	
工作温度 Working	T105	
接线范围 Rated connecting capacity	欧规 European:0.5 ~ 2.5mm ² 澳规 Australia:0.5 ~ 2.5mm ² 美规 American:SJOW 14-18AWG	
密封胶塞/seal plug		
胶塞孔径/plug aperture	8mm	11mm
适用线径/Available cable diameter (橡胶圆线/Round rubber cable)	2*M20(4-8mm)	2*M20(6-11mm)
防水测试 Testing	20M 150hours	
参考剥线长度 Refer to stripping length	10mm (0.5~1.0mm ²) rigid 15mm (1.5~2.5mm ²) rigid	
产品尺寸 Product Size(参考实际尺寸图)	80.57*80.57mm (Refer to actual drawing)	
认证 Certification	ENEC,CE,UKCA,ETL,NSW,CB,ROHS	
产品应用/Application	水底/Underwater(淡水 fresh water) 地埋/Underground	
注/Mark:	<p>1.不能使用在盐碱土壤/Do not use in saline soil</p> <p>2.不能长期接触油性物质或浸泡在油污中/Do not contact oily substances or soak in oil for a longtime</p> <p>3.不建议长期在日照暴晒下使用/Longtime exposed under sunshine is not recommended</p>	

产品图纸/Product drawings



参考剥线长度
Refer to stripping length

