

APPROVED SHEET

CUSTOMER: _____

CUSTOMER P/N: _____

YLT P/N: KH-RUB6096PS3GA

REV: A

SPEC NO. RUB-0002

DESCRIPTION: RJ45 1X1 Tab Up

2.5G Base-T

Contact Area: 6u" Gold

LED: L-Green/Orange; R-Yellow

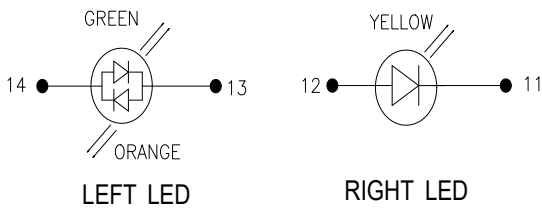
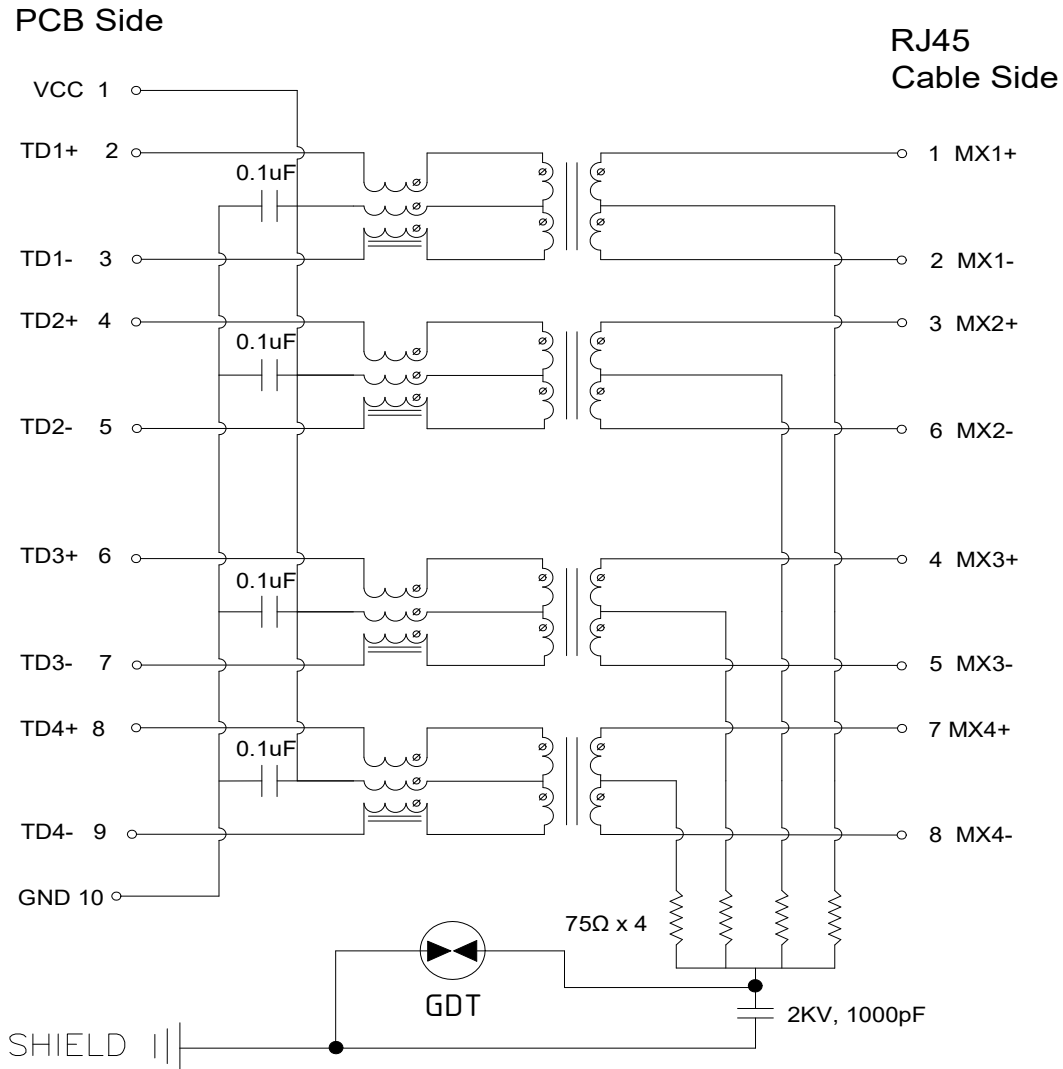
CUSTOMER APPROVAL		COMPANY APPROVAL	
INSPECTED BY:		ISSUED BY:	
CHECKED BY:		CHECKED BY:	
APPROVED BY:		APPROVED BY:	
APPROVED DATE:		ISSUED DATE:	

深圳市金航标电子有限公司

深圳市金航标电子有限公司

品名P/N: KH-RUB6096PS3GA			
日期	REV	变更内容	申请人
2024/3/12	A	新版发行	Binghua Zhou

B.SCHEMATICS



Standard LED Color	LED Wavelength	Foward(A)	Foward(V)
Green	565	20mA	1.8-2.4V
Yellow	590	20mA	1.7-2.5V
Orange	610	20mA	1.7-2.5V

DESCRIPTION	SUR P/N	SPEC NO.	REV: A
RJ45 1X1 Tab Up	KH-RUB6096PS3GA	RUB-0002	PAGE: 2/4

深圳市金航标电子有限公司

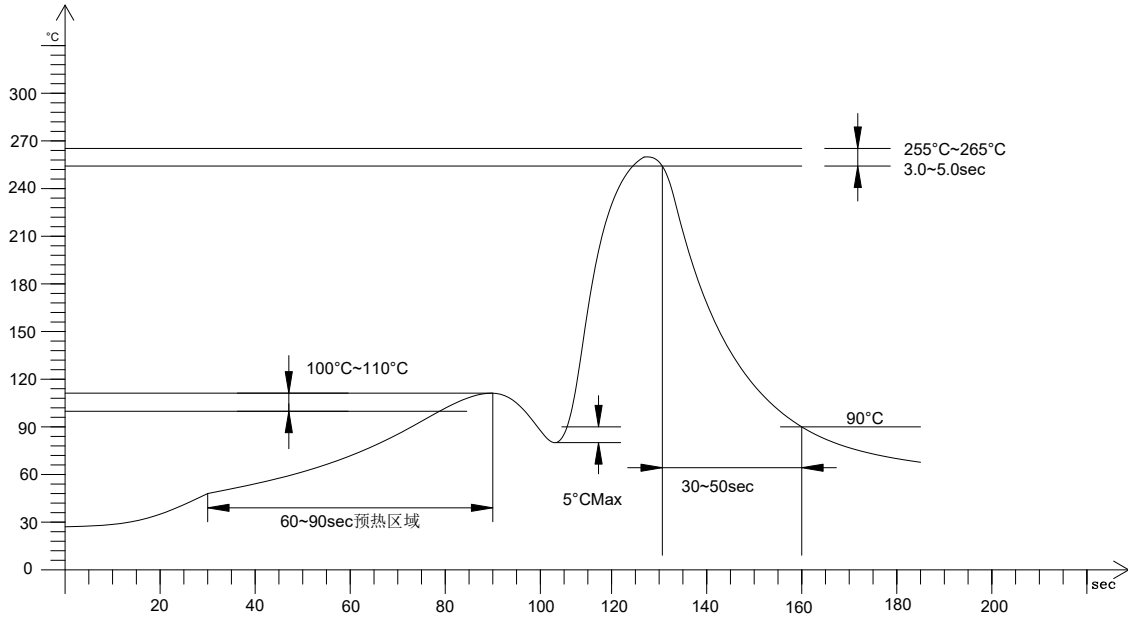
C. ELECTRICAL SPECIFICATIONS @25°C

1. OCL: 180uH Min @ 100KHz, 0.1V .
2. Leakage Inductance: 0.5uH Max @ 100KHz, 0.1V
3. DCR: 1000mΩ Max
4. Turns Ratio: 1CT:1CT±5%
5. Insertion Loss: -1.0 dB Max @ 1-100 MHz
-2.0 dB Max @ 100-250 MHz
6. Return Loss: -16 dB Min @ $1 \leq f \leq 40$ MHz
-16+10log(f/40) dB Min @ $40 < f \leq 250$ MHz, where f is in MHz
7. Cross Talk: -30 dB Typ @ 1-250 MHz
8. Common Mode Rejection Ratio: -30 dB Typ @ 1-250 MHz
9. Isolation Hipot: 2250VDC 1mA 60S
10. Operating temperature: -40°C to +85°C
11. Storage temperature -40°C to +125°C
12. RoHS compliant

DESCRIPTION	SUR P/N	SPEC NO.	REV: A
RJ45 1X1 Tab Up	KH-RUB6096PS3GA	RUB-0002	PAGE: 3/4

深圳市金航标电子有限公司

D. RECOMMEND WAVE SOLDERING CURVE



DESCRIPTION	SUR P/N	SPEC NO.	REV: A
RJ45 1X1 Tab Up	KH-RUB6096PS3GA	RUB-0002	PAGE: 4/4