

# APPROVED SHEET

CUSTOMER: \_\_\_\_\_

CUSTOMER P/N: \_\_\_\_\_

YLT P/N: \_\_\_\_\_

KH-RP1113PF03GF

REV: \_\_\_\_\_

A

SPEC NO. \_\_\_\_\_

RP1-0007

DESCRIPTION: \_\_\_\_\_

RJ45 1X1 Tab Down

5G Base-T

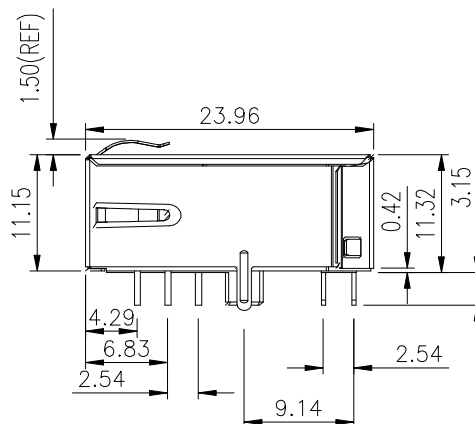
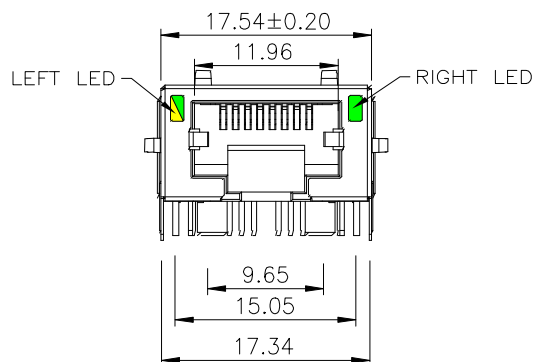
Contact Area: 50u" Gold

LED: L-Yellow;R-Green

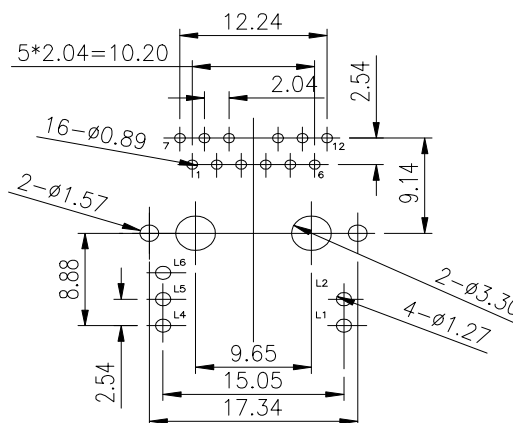
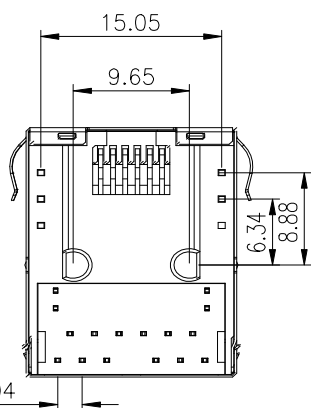
CUSTOMER APPROVAL		COMPANY APPROVAL	
INSPECTED BY:		ISSUED BY:	
CHECKED BY:		CHECKED BY:	
APPROVED BY:		APPROVED BY:	
APPROVED DATE:		ISSUED DATE:	

**深圳市金航标电子有限公司**

## A. MECHANICAL(unit:mm)



General Tolerance:  
 X.X :±0.25  
 X.XX :±0.20  
 X.XXX:±0.10



### Notes:

#### (1).Material:

Housing: Thermoplastic, LCP, Black, UL 94V-0.

Contact: Phosphor Bronze, Thickness=0.35mm.

Shell: Brass, Thickness=0.20mm.

#### (2).Finish:

Contact: 50μ" Min Nickel Underplating All Area.

100μ" Min Tin On Solder Tail.

50u" Gold On Contact Area.

Shell: 30μ" Min Nickel Underplating All Area.

#### (3).Durability Operating Life:

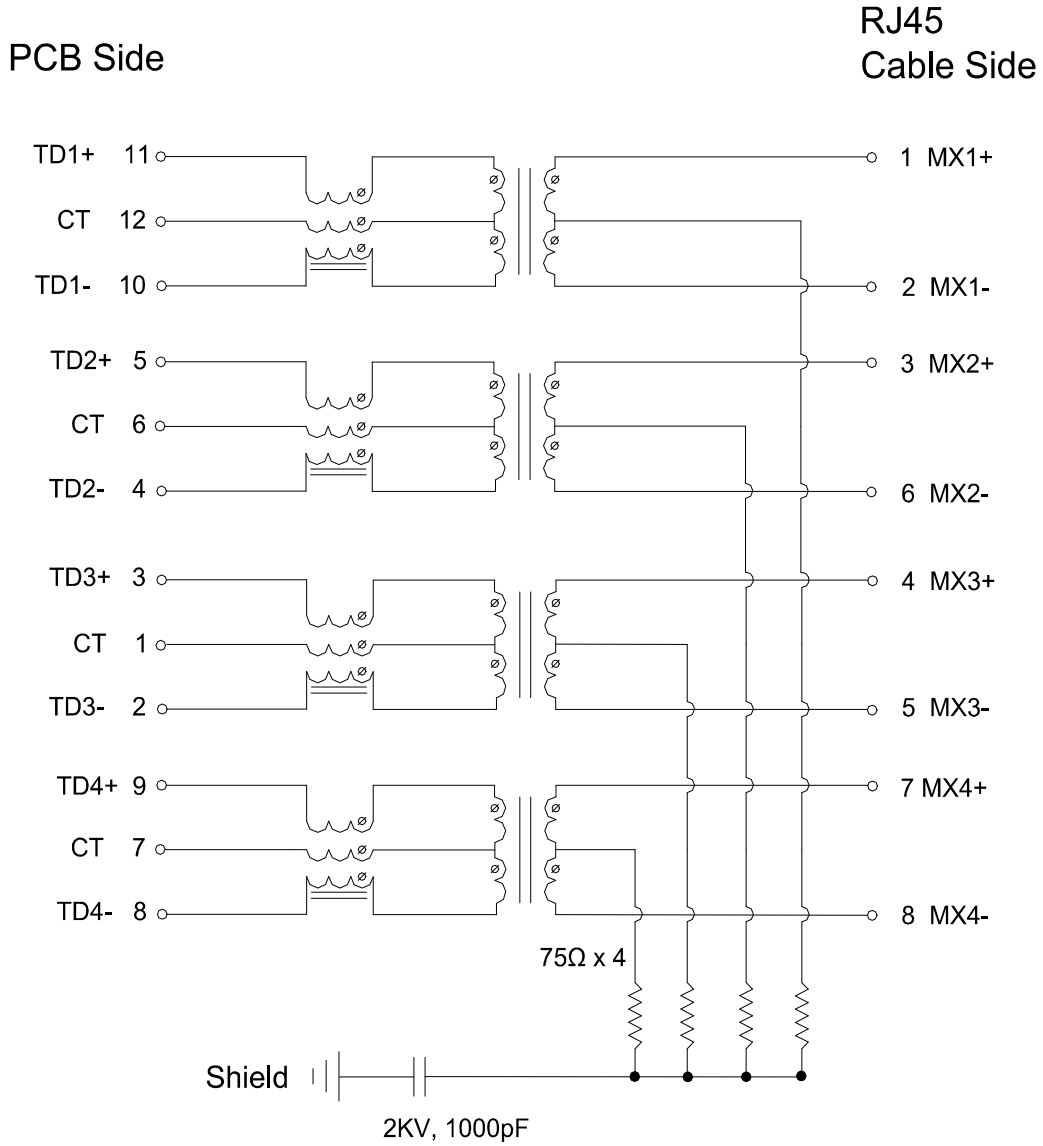
750 Cycles Min.

#### (4).Jack Cavity Conforms To FCC Rules And Regulations Part 68, Subpart F.

DESCRIPTION	SUR P/N	SPEC NO.	REV: A
RJ45 1X1 Tab Down	KH-RP1113PF03GF	RP1-0007	PAGE: 1/4

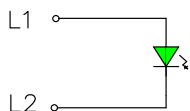
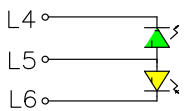
# 深圳市金航标电子有限公司

## B.SCHEMATICS



LEFT

RIGHT



Standard LED Color	LED Wavelength	Foward(A)	Foward(V)
Green/Yellow	565	20mA	1.8-2.4V
Red	585	20mA	1.7-2.5V

DESCRIPTION	SUR P/N	SPEC NO.	REV: A
RJ45 1X1 Tab Down	KH-RP1113PF03GF	RP1-0007	PAGE: 2/4

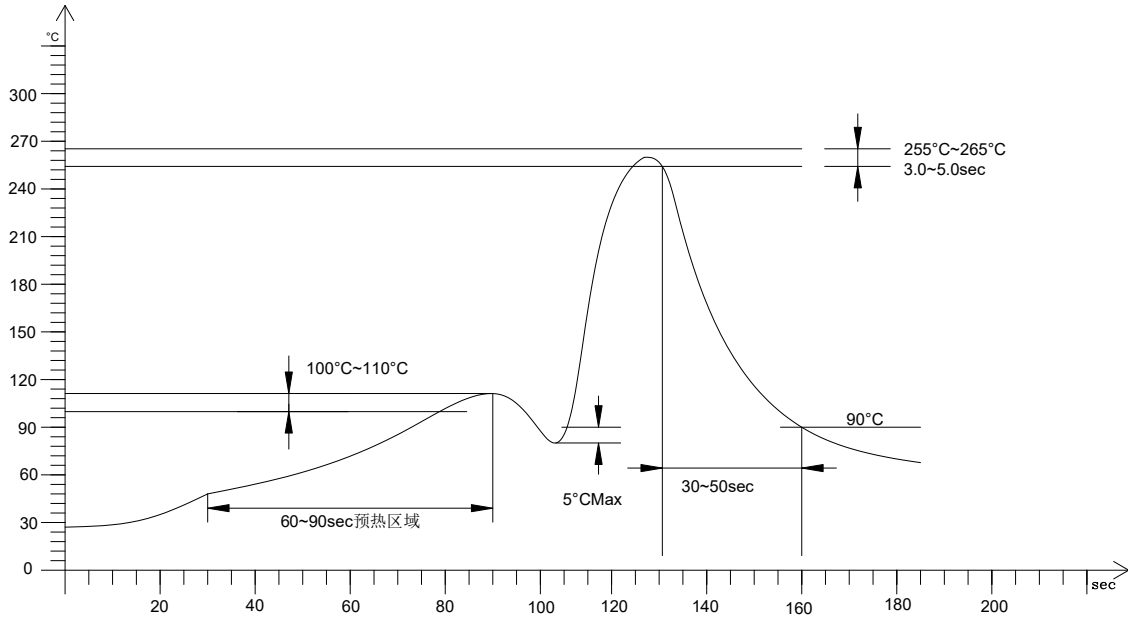
# 深圳市金航标电子有限公司

## C. ELECTRICAL SPECIFICATIONS @25°C

1. OCL: 140uH Min @ 100KHz, 0.1V 14mA DC BIAS
2. Leakage Inductance: 0.5uH Max @ 100KHz, 0.1V
3. DCR: 1000mΩ Max
4. Turns Ratio: 1CT:1CT±5%
5. Insertion Loss: -1.0 dB Max @ 1-100 MHz  
-2.0 dB Max @ 100-250 MHz
6. Return Loss: -16 dB Min @  $1 \leq f \leq 40$  MHz  
-16+10log(f/40) dB Min @  $40 < f \leq 250$  MHz, where f is in MHz
7. Cross Talk: -30 dB Typ @ 1-250 MHz
8. Common Mode Rejection Ratio: -30 dB Typ @ 1-250 MHz
9. Isolation Hipot: 2250VDC 1mA 60S
10. Operating temperature: -40°C to +85°C
11. Storage temperature -40°C to +125°C
12. RoHS compliant

DESCRIPTION	SUR P/N	SPEC NO.	REV: A
RJ45 1X1 Tab Down	KH-RP1113PF03GF	RP1-0007	PAGE: 3/4

## D. RECOMMEND WAVE SOLDERING CURVE



DESCRIPTION	SUR P/N	SPEC NO.	REV: A
RJ45 1X1 Tab Down	KH-RP1113PF03GF	RP1-0007	PAGE: 4/4