



# APPROVED SHEET

CUSTOMER:

CUSTOMER P/N:

YLT P/N:

KH-RB1101QG02GA

REV:

A

SPEC NO.

RB1-0082

DESCRIPTION:

RJ45 1X1 Tab UP

100/1000 Base-TX

Contact Area: 6u" Gold

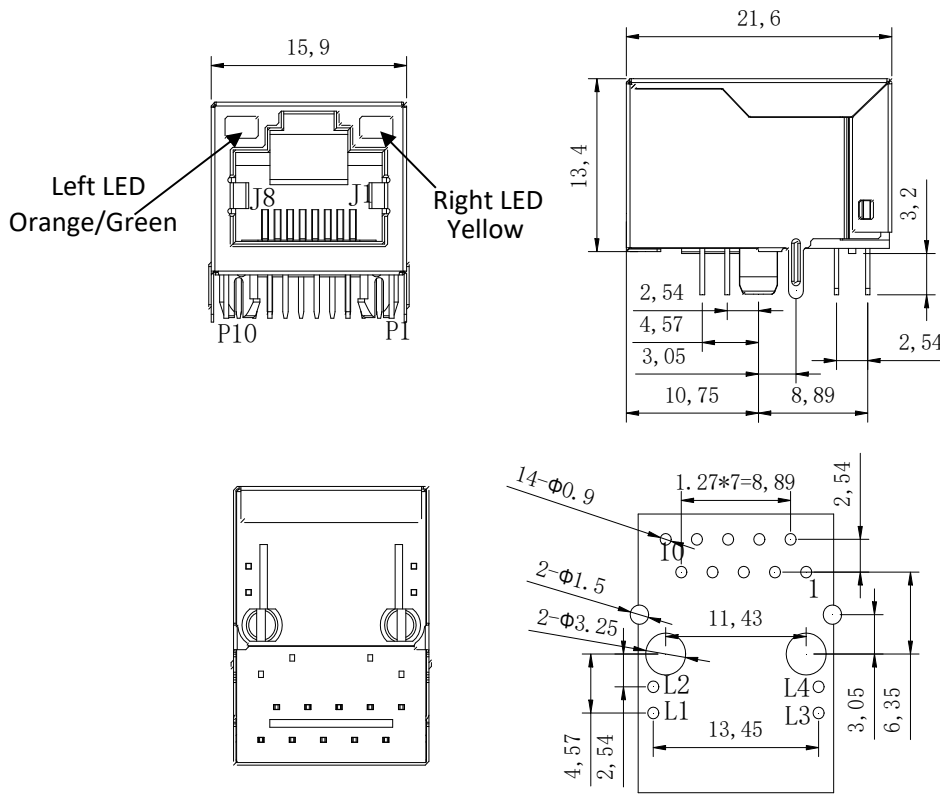
LED: L-Orange/Green;L-Yellow

CUSTOMER APPROVAL		COMPANY APPROVAL	
INSPECTED BY:		ISSUED BY:	
CHECKED BY:		CHECKED BY:	
APPROVED BY:		APPROVED BY:	
APPROVED DATE:		ISSUED DATE:	

深圳市金航标电子有限公司

品名P/N: KH-RB1101QG02GA			
日期	REV	变更内容	申请人
2023/11/11	A	新版发行	

## A. MECHANICAL(unit:mm)



General Tolerance:  
 X.X : ±0.25  
 X.XX : ±0.20  
 X.XXX : ±0.10

### Notes:

#### (1).Material:

Housing: Thermoplastic, PBT, Black, UL 94V-0.

Inner: Thermoplastic,PBT,Black,UL 94V-0.

Contact: Phosphor Bronze, Thickness=0.35mm.

Shell: Brass, Thickness=0.20mm.

#### (2).Finish:

Contact: 50μ" Min Nickel Underplating All Area.

100μ" Min Tin On Solder Tail.

6u" Gold On Contact Area.

Shell: 30μ" Min Nickel Underplating All Area.

#### (3).Durability Operating Life:

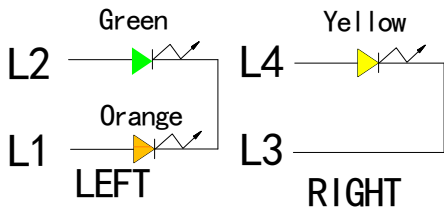
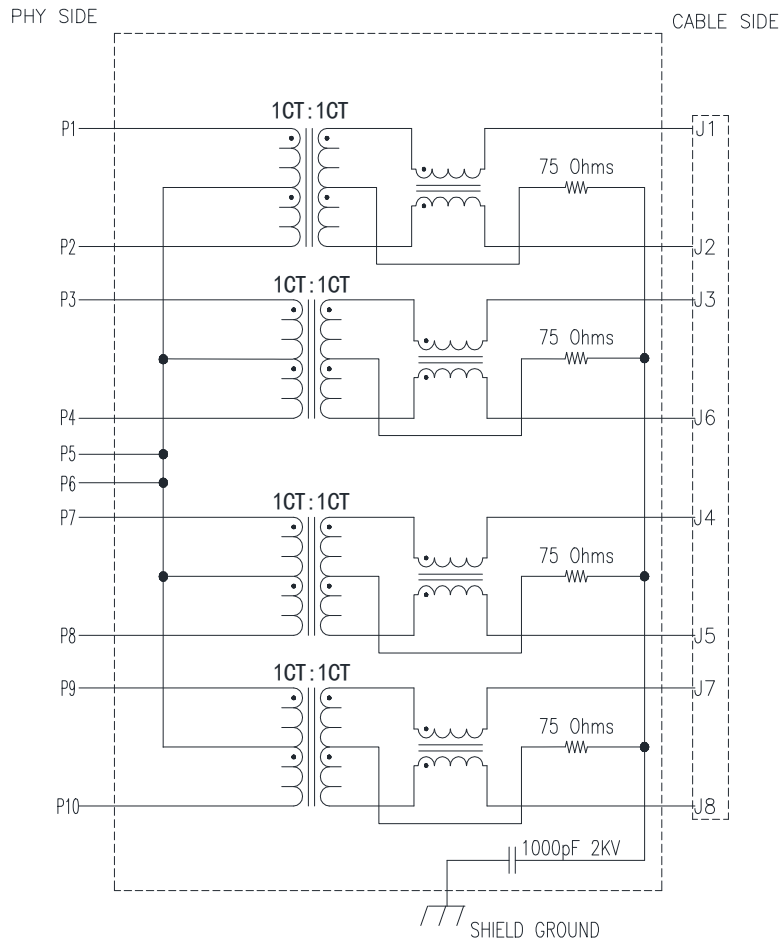
750 Cycles Min.

#### (4).Jack Cavity Conforms To FCC Rules And Regulations Part 68, Subpart F.

DESCRIPTION	SUR P/N	SPEC NO.	REV: A
RJ45 1X1 Tab UP	KH-RB1101QG02GA	RB1-0082	PAGE: 1/4

# 深圳市金航标电子有限公司

## B.SCHEMATICS



Standard LED Color	LED Wavelength	Foward(A)	Foward(V)
Green	565	20mA	1.8-2.4V
Yellow	585	20mA	1.7-2.5V
Orange	610	20mA	1.7-2.5V

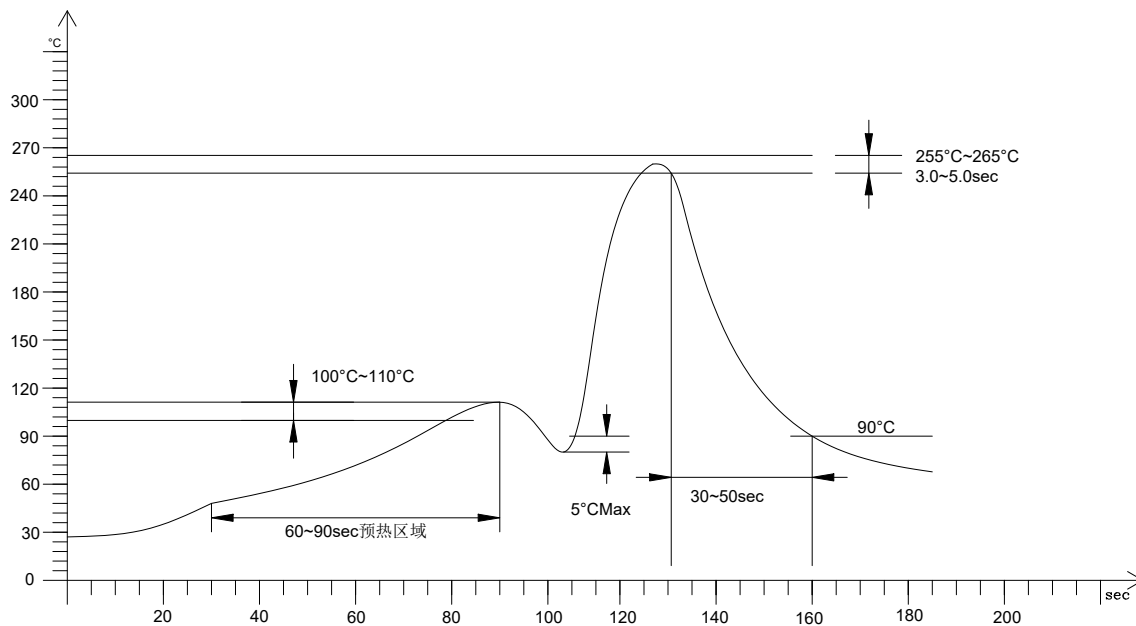
DESCRIPTION	SUR P/N	SPEC NO.	REV: A
RJ45 1X1 Tab UP	KH-RB1101QG02GA	RB1-0082	PAGE: 2/4

## C. ELECTRICAL SPECIFICATIONS @25°C

1. OCL: 350  $\mu$ H min @100KHz 100mV 8mA DC Bias
2. Turns Ratio: 1CT:1CT $\pm$ 3%
3. Insertion Loss: -1.0dB max @ 1~100 MHz
4. Return Loss: -18 dB Min @ 1~30 MHz.load 100 $\Omega$   
 -14 dB Min @ 30~60 MHz.load 100 $\Omega$   
 -12 dB Min @ 60~80 MHz.load 100 $\Omega$   
 -10 dB Min @ 80~100 MHz.load 100 $\Omega$
5. Common Mode Rejection: -30 dB Min @ 1-100 MHz
6. Cross Talk: -30 dB Min @ 1-100 MHz
7. Isolation Hipot:2250VDC 1mA 60s
8. Operating temperature: -40°C to +85°C
9. Storage temperature: -40°C to +85°C
10. RoHS compliant

DESCRIPTION	SUR P/N	SPEC NO.	REV: A
RJ45 1X1 Tab UP	KH-RB1101QG02GA	RB1-0082	PAGE: 3/4

## D. RECOMMEND WAVE SOLDERING CURVE



DESCRIPTION	SUR P/N	SPEC NO.	REV: A
RJ45 1X1 Tab UP	KH-RB1101QG02GA	RB1-0082	PAGE: 4/4