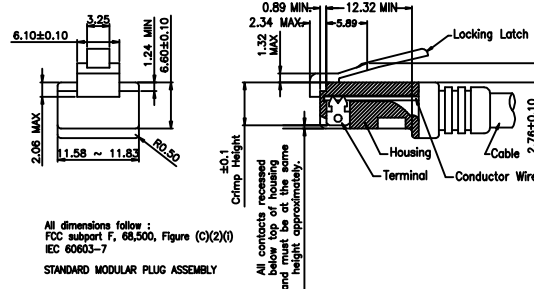
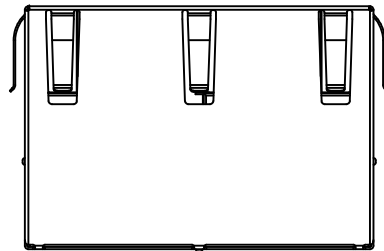
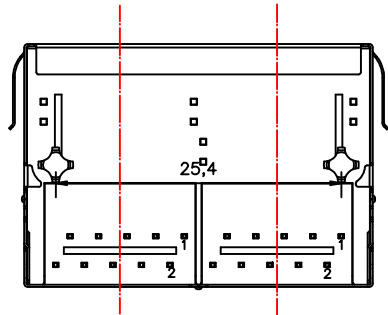
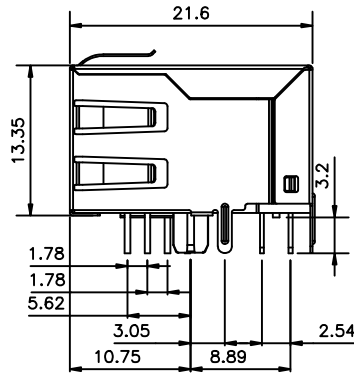
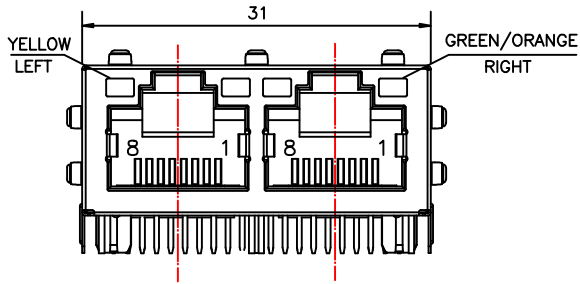
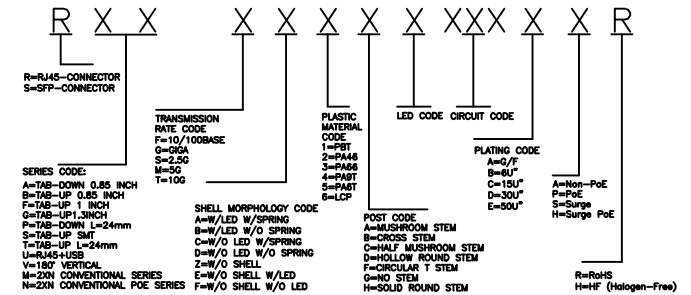


| REV | ECN NO | DESCRIPTION | DATE     |
|-----|--------|-------------|----------|
| A   | /      | New Drawing | 2025/1/3 |
|     |        |             |          |
|     |        |             |          |

- 1.THE PRODUCT IS ROHS COMPLIANT.
- 2.ALL DIMENSIONS FOLLOW :  
-FCC SUBPART F, 68,500, FIGURE (C)(2)(I) & (C)(2)(II) & (C)(3)(I) IEC 60603-7  
-ALL PLUGS MUST BE MEETING THE REQUIREMENTS OF PLUG GO & NO-GO GAUGE.
- 3.GAUGE FOLLOW : FCC SUBPART F, 68,500, FIGURE (C)(4)(I) & (C)(5)(I)  
-THERE MUST BE NO DAMAGE TO HOUSING AND LOCKING LATCH.  
-THERE MUST BE NO NICKS AND CUTS IN CABLE.
- 4.PART CAN BE RECOMMENED FOR REFLOW SOLDERING PROCESS.  
PEAK REFLOW SOLDERING TEMPERATURE IS 260°C MAX,10SECONDS MAX.
- 5.OPERATING TEMPERATURE:-40 TO +85°C;
- 6.STORAGE TEMPERATURE: -40 TO +85°C
- 7.MATERIAL:
  - 7.1 HOUSING: THERMOPLASTIC PBT.  
FLAMMABILITY RATING ,UL 94V-0; COLOR:BLACK.
  - 7.2 SHELL: BRASS C2680H, THICKNESS=0.20mm.PLATING NICKEL 30u"Min;
  - 7.3 RJ TERMINAL: THERMOPLASTIC PBT,COLOR:BLACK UL 94V-0;  
RJ PIN:THICKNESS=0.30mm.PHOS-BRONZE C5210EH.  
PLATING: 50u" MIN NICKEL UNDERPLATING ALL AREA.  
100u" MIN TIN ON SOLDER TAIL.  
6u" GOLD ON CONTACT AREA.
  - 7.4 PHY PIN:THICKNESS=0.30mm. BRASS C2680EH.  
PLATING: 50u" MIN NICKEL UNDERPLATING ALL AREA.  
100u" MIN TIN ON SOLDER TAIL.

8.CODING PRINCIPLES



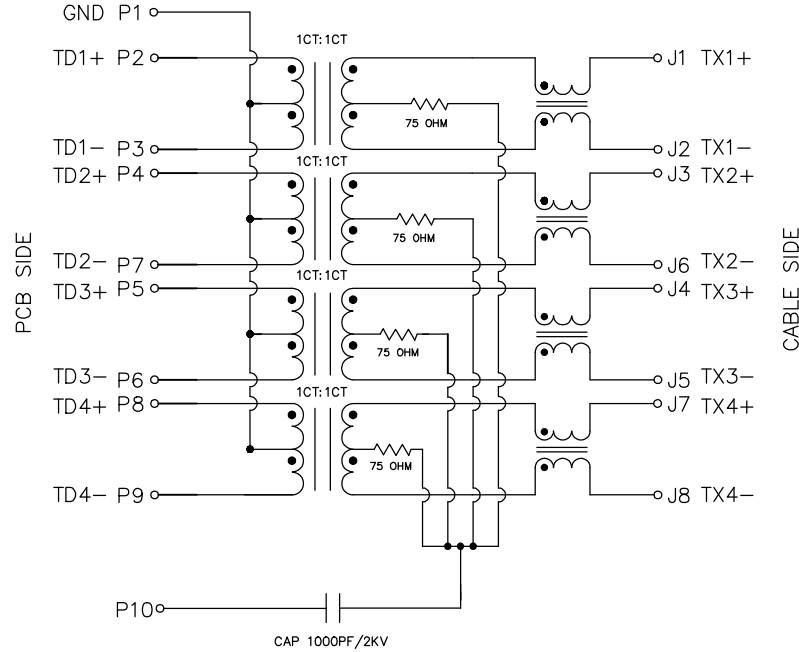
All dimensions follow :  
 FCC subpart F, 68,500, Figure (C)(2)(I)  
 IEC 60603-7  
 STANDARD MODULAR PLUG ASSEMBLY

±0.1  
 All contacts recessed  
 below top of housing  
 and same height  
 approximately.

|             |             |  |                  |
|-------------|-------------|--|------------------|
| X. ± 0.40   | APPD: LOUIS | 深圳市金航标电子有限公司   |                  |
| .X ± 0.30   | CHKD: ZHOU  | PART NO: KH-RB2-GA1BE008BAR                                  |                  |
| .XX ± 0.25  | DR: LIANG   | TITLE: TAB UP 1X2Port 10/100/1000 BASE-T RJ45 JACK Magnetics |                  |
| .XXX ± 0.20 | UNITS: mm   | SHEET: 1 OF 2  | REMARK: XXX-XXXX |
| X' ± 3'     | X' ± 2'     | SCALE: 1:1   | REMARK: XXX-XXXX |
| UNITS: mm   | SCALE: 1:1  | REV: A   | DWG NO: RB1-0011 |
| UNITS: mm   | SCALE: 1:1  | REV: A   | DWG NO: RB1-0011 |



| REV | ECN NO | DESCRIPTION | DATE     |
|-----|--------|-------------|----------|
| A   | /      | New Drawing | 2025/1/3 |
|     |        |             |          |



D. ELECTRICAL SPECIFICATIONS @25℃

TRANSMITTER FILTER & RECEIVER FILTER

TYPE : BALANCE LOW PASS 100Ω IMPEDANCE

INSERTION LOSS : 1~125MHz -1.2dB MAX.

RETURN LOSS : 1~30MHz -18dB MIN. LOAD 100Ω  
 30~60MHz -16dB MIN. LOAD 100Ω  
 60~80MHz -12dB MIN. LOAD 100Ω  
 80~100MHz -10dB MIN. LOAD 100Ω

COMMON MODE REJECTION  
 @1~100 MHz -30dB MIN.

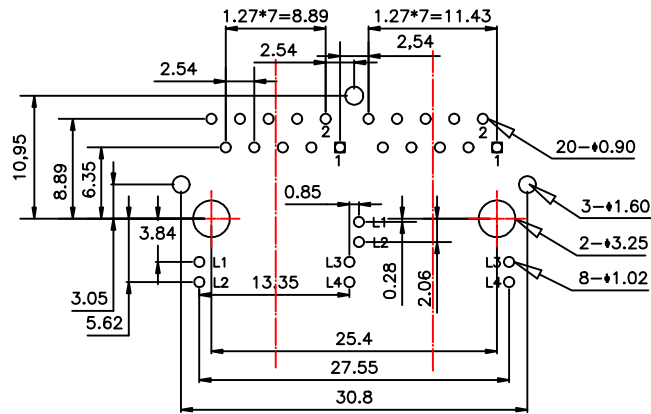
CROSS TALK  
 @ 1~100MHz -30dB MIN.

INDUCTANCE (OCL) @ 100KHz, 0.1V, 8mA DC BIAS 350 uH MIN.

DCR:1.2 OHM MAX

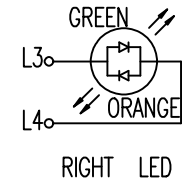
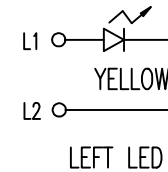
HIPOT TEST  
 PHY SIDE(INPUT) TO CABLE SIDE(OUTPUT) : 1500Vrms 60S

C:PIN ASSIGNMENT FOR PCB LAYOUT



SUGGESTED PCB PAD LAYOUT  
 COMPONENT SIDE VIEW

E:LED SPECIFICATION



| Emitting Color | λp (nm) | Vf @If=20mA | Ir @Vr=5V |
|----------------|---------|-------------|-----------|
| GREEN          | 570     | 1.7 ~2.6 V  | 10mA max  |
| ORANGE         | 605     | 1.7 ~2.6 V  | 10mA max  |
| YELLOW         | 605     | 1.7 ~2.6 V  | 10mA max  |

|             |             |  |                  |
|-------------|-------------|--|------------------|
| X. ± 0.40   | APPD: LOUIS | 深圳市金航标电子有限公司   |                  |
| .X ± 0.30   | CHKD: ZHOU  | PART NO: KH-RB2-GA1BE008BAR                                  |                  |
| .XX ± 0.25  | DR: LIANG   | TITLE: TAB UP 1X2Port 10/100/1000 BASE-T RJ45 JACK Magnetics |                  |
| .XXX ± 0.20 | UNITS: mm   | SHEET: 2 OF 2  |                  |
| X' ± 3'     |             | SCALE: 1:1   | REMARK: XXX-XXXX |
|             |             | REV: A   | DWG NO: RB1-0011 |

