

APPROVED SHEET

CUSTOMER: _____

CUSTOMER P/N: _____

YLT P/N: _____

KH-RA2-GA2B5051BAR

REV: _____

A

SPEC NO. _____

RA2-0078

DESCRIPTION: _____

RJ45 1X2 TAB DOWN

10/100/1000M BASE-T

Contact : 6u" Gold

LED: L-Green;R-Yellow

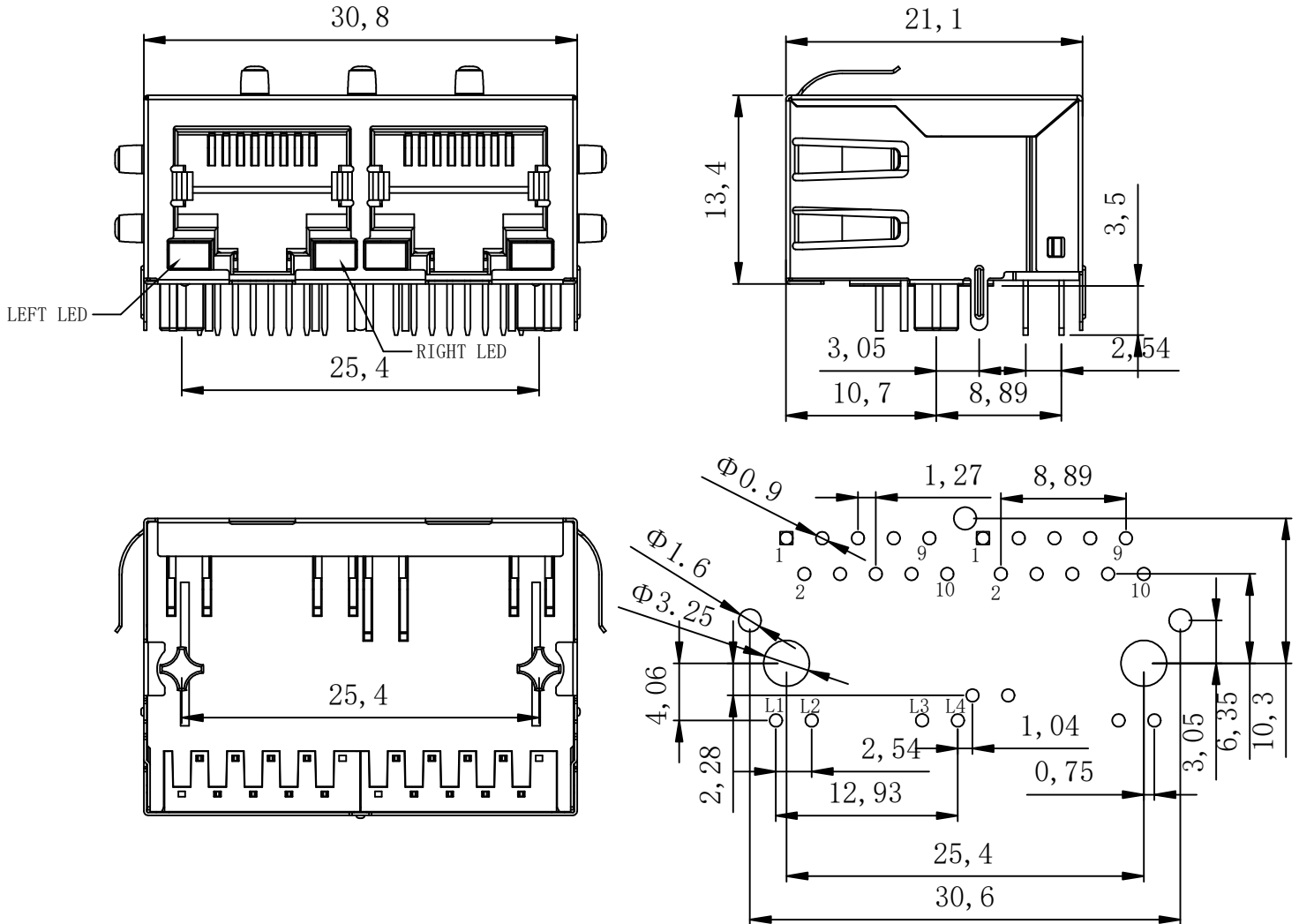
CUSTOMER APPROVAL		COMPANY APPROVAL	
INSPECTED BY:		ISSUED BY:	
CHECKED BY:		CHECKED BY:	
APPROVED BY:		APPROVED BY:	
APPROVED DATE:		ISSUED DATE:	

深圳市金航标电子有限公司

A. MECHANICAL (UNIT: mm)

GENERAL TOLERANCE:

X.X : ±0.30
 X.XX : ±0.25
 X.XXX : ±0.20



NOTES:

(1). MATERIAL:

HOUSING: THERMOPLASTIC, PA46, BLACK, UL 94V-0.
 CONTACT: PHOSPHOR BRONZE, THICKNESS=0.35mm.
 SHELL: BRASS, THICKNESS=0.20mm.

(2). FINISH:

CONTACT: 50u" MIN NICKEL UNDERPLATING ALL AREA. 100U" MIN TIN ON SOLDER TAIL.
 6U" GOLD ON CONTACT AREA.

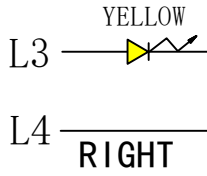
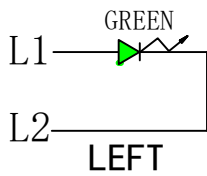
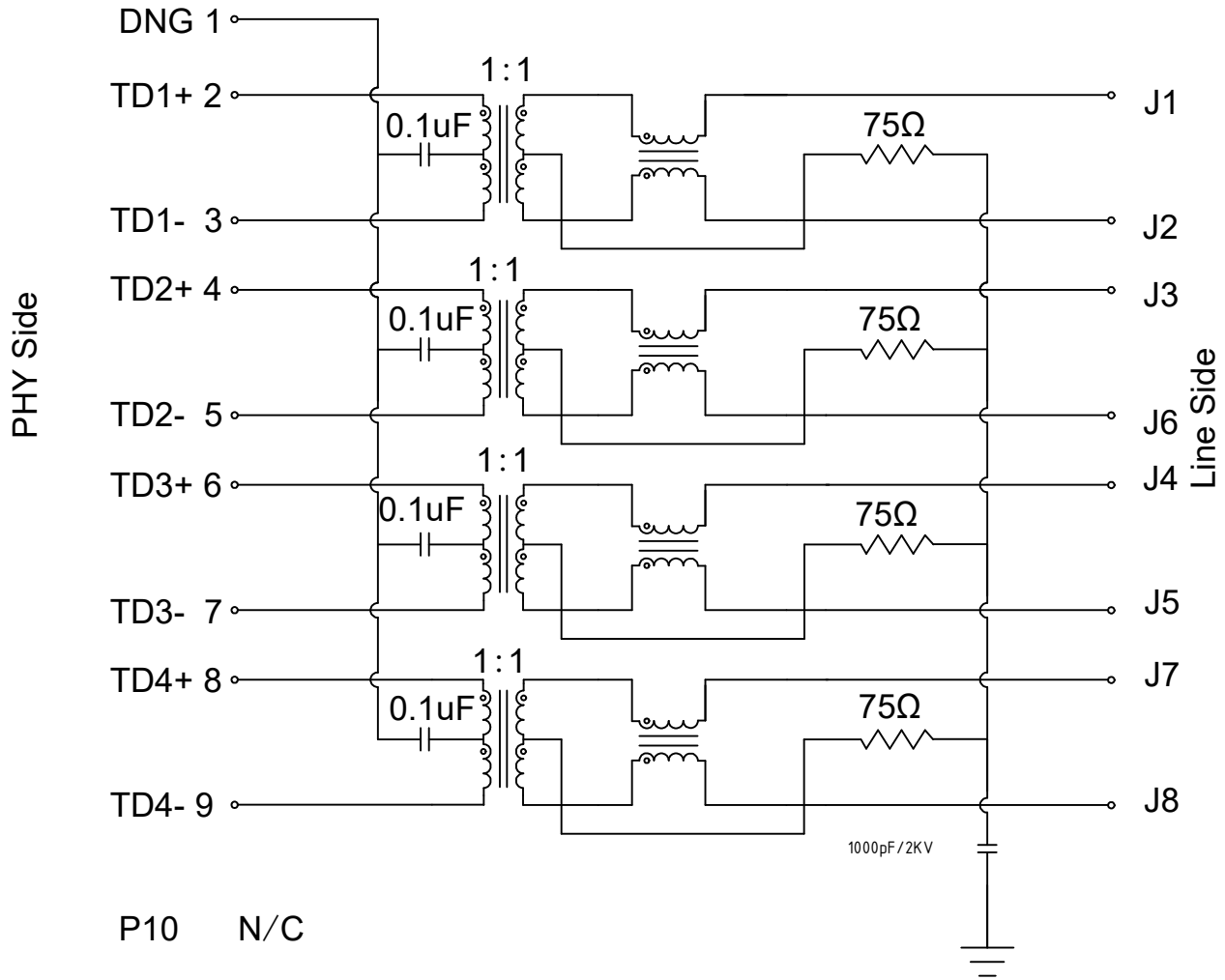
SHELL: 30u" MIN NICKEL UNDERPLATING ALL AREA.

(3). DURABILITY OPERATING LIFE: 750 CYCLES MIN.

(4). JACK CAVITY CONFORMS TO FCC RULES AND REGULATIONS PART 68, SUBPART F

DESCRIPTION	YLT P/N	SPEC NO.	REV: A
RJ45-CONNECTOR 1X2PORT TAB DOWN 10/100/1000BASE	KH-RA2-GA2B5051BAR	RA2-0078	PAGE: 1/4

B. SCHEMATICS



Standard LED Color	LED Wavelength	Foward (A)	Foward (A)
Green	565	20mA	1.8-2.4V
Yellow	585	20mA	1.7-2.5V

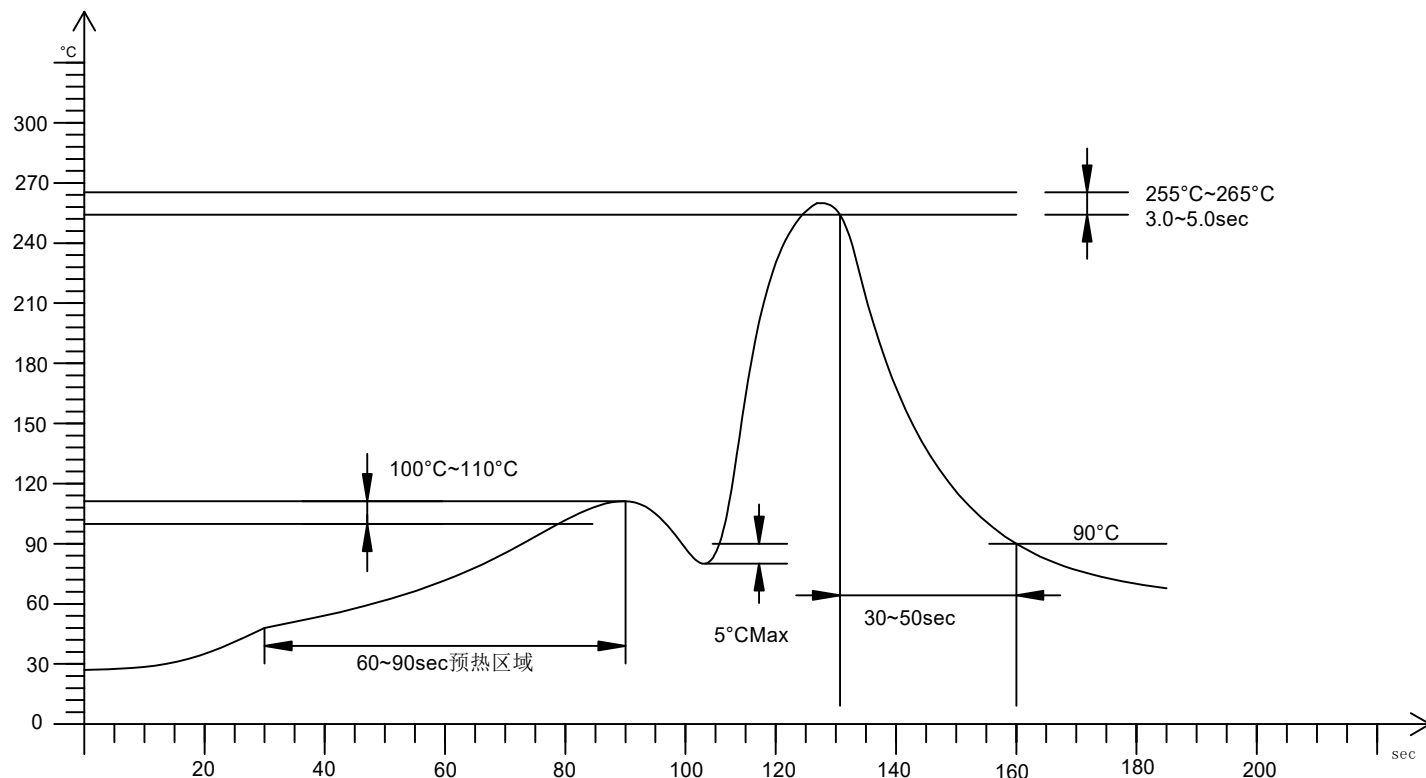
DESCRIPTION	SUR P/N	SPEC NO.	REV: A
RJ45-CONNECTOR 1X2PORT TAB DOWN 10/100/1000BASE	KH-RA2-GA2B5051BAR	RA2-0078	PAGE: 2/4

C. ELECTRICAL SPECIFICATIONS @25°C

1. OCL: 350 μ H MIN @100KHZ 100MV 8MA DC BIAS
2. TURNS RATIO: 1CT:1CT \pm 3%
3. INSERTION LOSS: -1.0DB MAX @ 1~100 MHZ
4. RETURN LOSS: -18 DB MIN @ 1~30 MHZ. LOAD 100 Ω
-14 DB MIN @ 30~60 MHZ. LOAD 100 Ω
-12 DB MIN @ 60~80 MHZ. LOAD 100 Ω
-10 DB MIN @ 80~100 MHZ. LOAD 100 Ω
5. COMMON MODE REJECTION: -30 DB MIN @ 1-100 MHZ
6. CROSS TALK: -30 DB MIN @ 1-100 MHZ
7. ISOLATION HIPOT:2250VDC 1MA 2S
8. OPERATING TEMPERATURE:-40°C TO +85°C
9. STORAGE TEMPERATURE: -40°C TO +85°C
10. ROHS COMPLIANT

DESCRIPTION	SUR P/N	SPEC NO.	REV: A
RJ45-CONNECTOR 1X2PORT TAB DOWN 10/100/1000BASE	KH-RA2-GA2B5051BAR	RA2-0078	PAGE: 3/4

E. RECOMMEND WAVE SOLDERING CURVE



NOTE:

THE MEASURING POINT FOR THE SPECIFIED TEMPERATURE SHALL BE ON THE SOLDERED PART OF THE LEAD.

DESCRIPTION

SUR P/N

SPEC NO.

REV: A

RJ45-CONNECTOR 1X2PORT
TAB DOWN 10/100/1000BASE

KH-RA2-GA2B5051BAR

RA2-0078

PAGE: 4/4