



APPROVED SHEET

CUSTOMER: _____

CUSTOMER P/N: _____

YLT P/N: KH-RA1-GA1A512BAR

REV: A

SPEC NO. RA1-0340

DESCRIPTION: RJ45 1X1 TAB DOWN

10/100/1000M BASE-T

CONTACT AREA:6u" GOLD

LED: L-GREEN;R-YELLOW

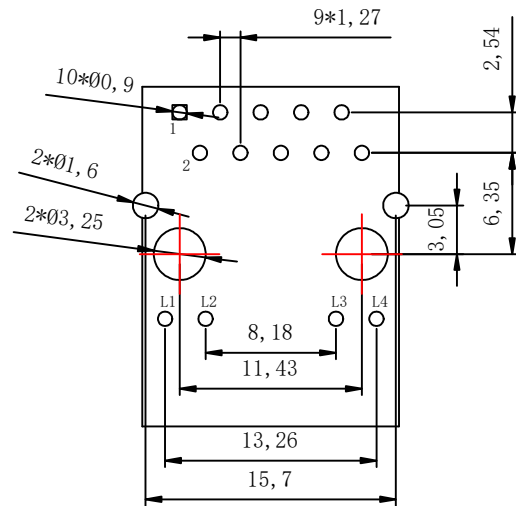
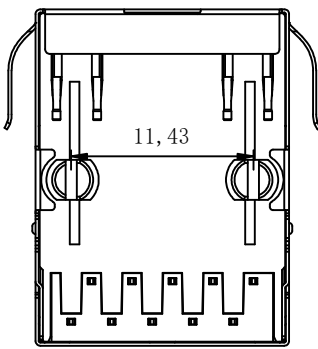
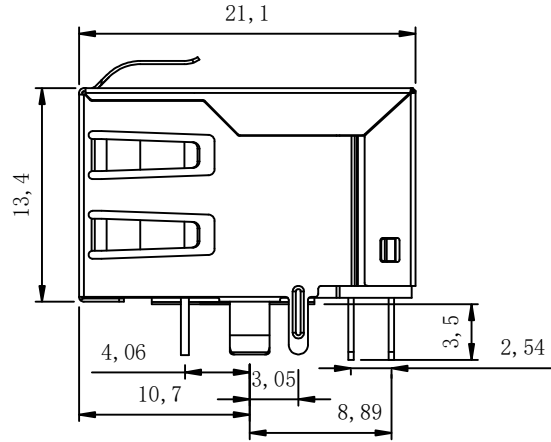
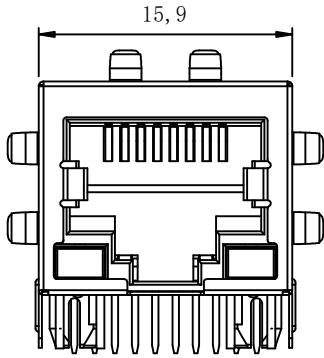
CUSTOMER APPROVAL		COMPANY APPROVAL	
INSPECTED BY:		ISSUED BY:	
CHECKED BY:		CHECKED BY:	
APPROVED BY:		APPROVED BY:	
APPROVED DATE:		ISSUED DATE:	

深圳市金航标电子有限公司

A. MECHANICAL (UNIT: mm)

GENERAL TOLERANCE:

- X.X : ±0.30
- X.XX : ±0.25
- X.XXX : ±0.20



NOTES:

(1). MATERIAL:

- HOUSING: THERMOPLASTIC, PBT, BLACK, UL 94V-0.
- CONTACT: PHOSPHOR BRONZE, THICKNESS=0.35mm.
- SHELL: BRASS, THICKNESS=0.20mm.

(2). FINISH:

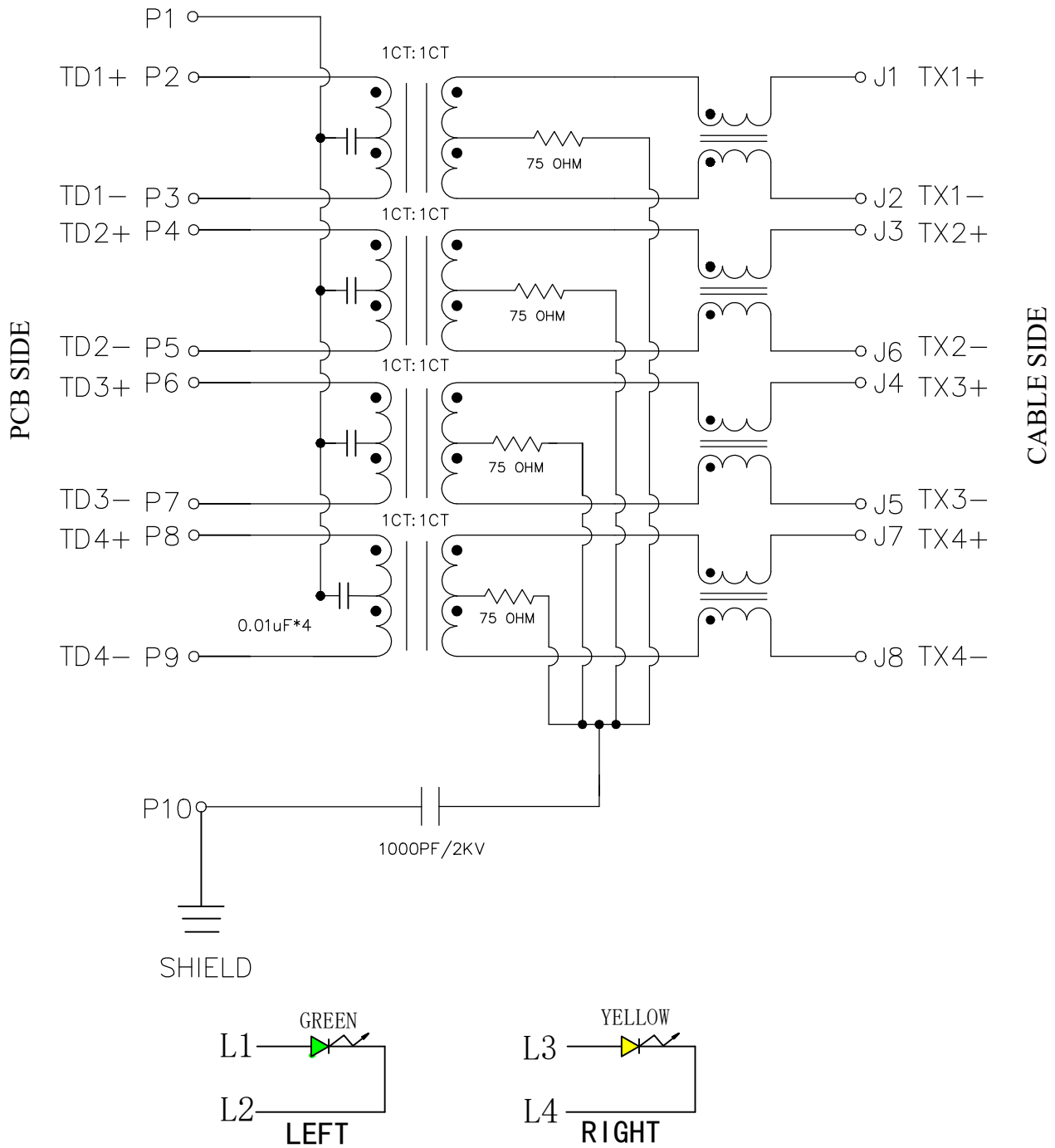
- CONTACT: 50u" MIN NICKEL UNDERPLATING ALL AREA. 100u" MIN TIN ON SOLDER TAIL.
- 6u" GOLD ON CONTACT AREA.
- SHELL: 30u" MIN NICKEL UNDERPLATING ALL AREA.

(3). DURABILITY OPERATING LIFE: 750 CYCLES MIN.

(4). JACK CAVITY CONFORMS TO FCC RULES AND REGULATIONS PART 68, SUBPART F

DESCRIPTION	SUR P/N	SPEC NO.	REV: A
RJ45-CONNECTOR 1X1PORT TAB UP 10/100/1000BASE	KH-RA1-GA1A5121BAR	RA1-0340	PAGE: 1/4

B. SCHEMATICS



Standard LED Color	LED Wavelength	Foward (A)	Foward (A)
Green	565	20mA	1.8-2.4V
Yellow	585	20mA	1.7-2.5V

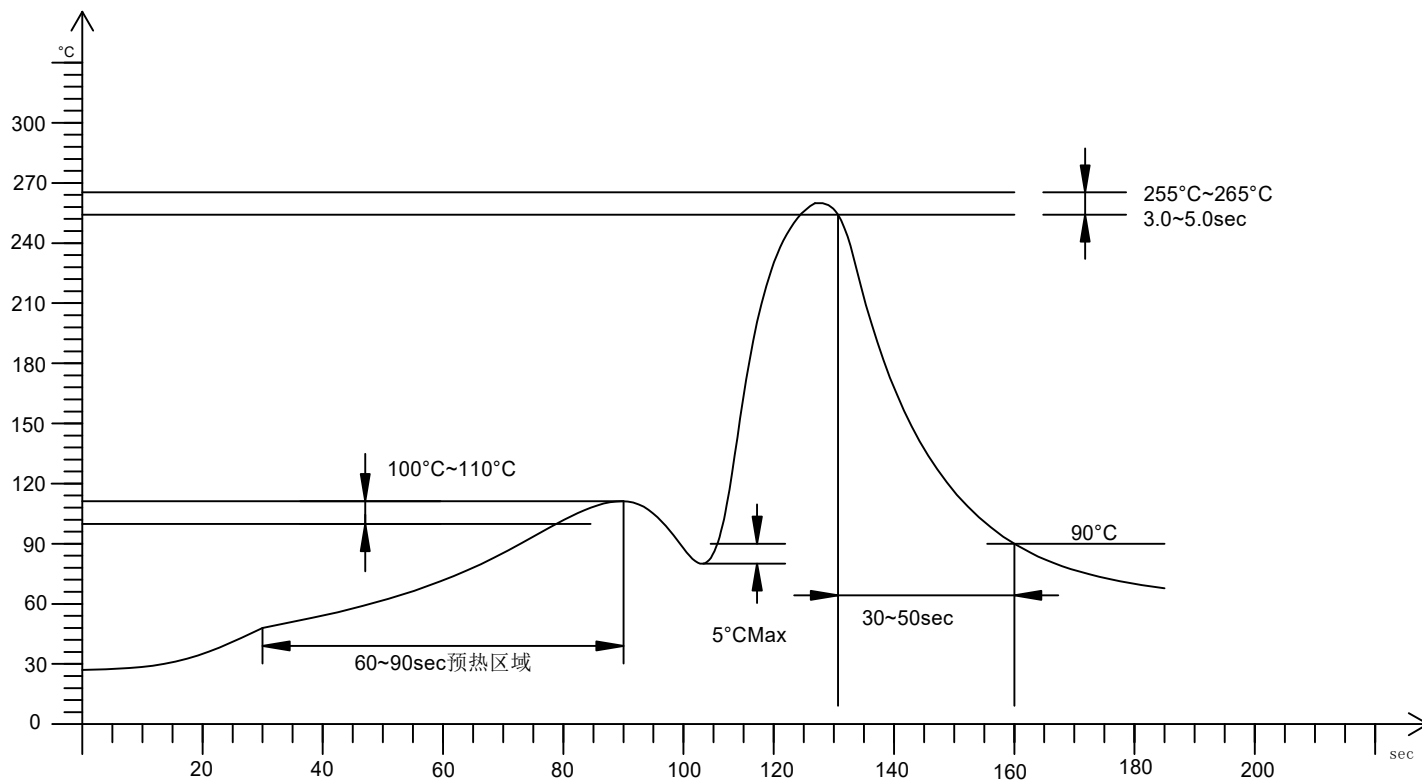
DESCRIPTION	SUR P/N	SPEC NO.	REV: A
RJ45-CONNECTOR 1X1PORT TAB UP 10/100/1000BASE	KH-RA1-GA1A5121BAR	RA1-0340	PAGE: 2/4

C. ELECTRICAL SPECIFICATIONS @25°C

1. OCL: 350 MH MIN @100KHZ 100MV 8MA DC BIAS
2. TURNS RATIO: 1CT:1CT±3%
3. INSTERTION LOSS: -1.0DB MAX @ 1~100 MHZ
4. RETURN LOSS: -18 DB MIN @ 1~30 MHZ. LOAD 100 Ω
-14 DB MIN @ 30~60 MHZ. LOAD 100 Ω
-12 DB MIN @ 60~80 MHZ. LOAD 100 Ω
-10 DB MIN @ 80~100 MHZ. LOAD 100 Ω
5. COMMON MODE REJECTION: -30 DB MIN @ 1-100 MHZ
6. CROSS TALK: -30 DB MIN @ 1-100 MHZ
7. ISOLATION HIPOT:2250VDC 1MA 2S
8. OPERATING TEMPERATURE:-40°C TO +85°C
9. STORAGE TEMPERATURE: -40°C TO +85°C
10. ROHS COMPLIANT

DESCRIPTION	SUR P/N	SPEC NO.	REV: A
RJ45-CONNECTOR 1X1PORT TAB UP 10/100/1000BASE	KH-RA1-GA1A5121BAR	RA1-0340	PAGE: 3/4

E. RECOMMEND WAVE SOLDERING CURVE



NOTE:

THE MEASURING POINT FOR THE SPECIFIED TEMPERATURE SHALL BE ON THE SOLDERED PART OF THE LEAD.

DESCRIPTION	SUR P/N	SPEC NO.	REV: A
RJ45-CONNECTOR 1X1PORT TAB UP 10/100/1000BASE	KH-RA1-GA1A5121BAR	RA1-0340	PAGE: 4/4