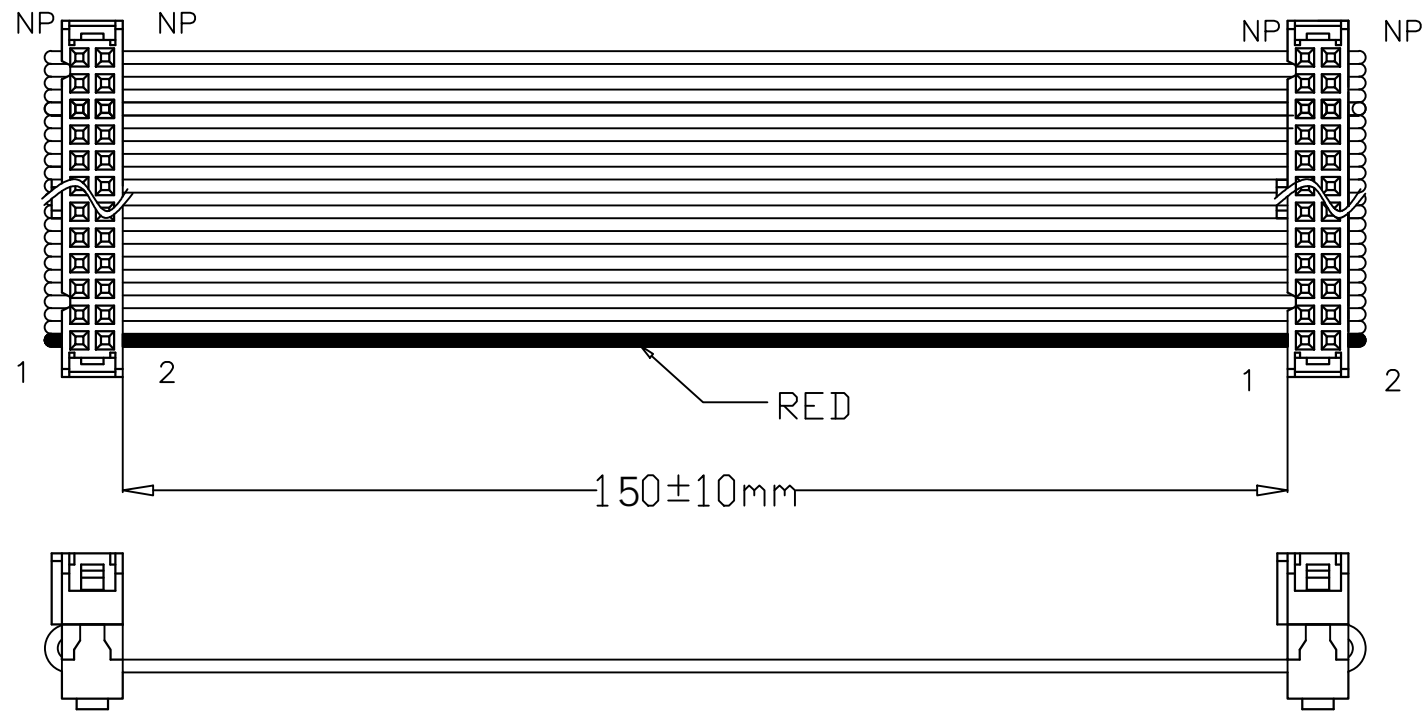


REV.	ECN NO.	DATE
A	N/A	2025/10/09



REMARKS :

- 100% OPEN/SHORT TEST.
- TEST VOLTS/INSULATION RESISTANCE :
DC 7V/500KΩ.
- INSPECTION DIMENSION: DIM L.

2	FC-xxH(3)	2	PBT+G/F BLACK
1	FLC-xxP UL2651 PH=1.27mm	1	28AWG GRAY L=132mm 7*0.127
ITEM	DESCRIPTION	Q'TY	REMARK

SIGNATURE		DATE	TITLE:		CODE NO.	---	TOLERANCE:	深圳市金航标电子有限公司 Shenzhen Kinghelm Electronics Co., Ltd KH-2.54FC-2X18P-150MM 0755-28190160
DRN.	GRP	2025/10/09	FC-xxH(3) CABLE		CUS. NO.	---		
CHK.			Q&T P/N:	CUS. P/N:	SCALE	---	.x	
APP.					UNIT	mm	.xx	
					PAGE	1/1	ANG.	