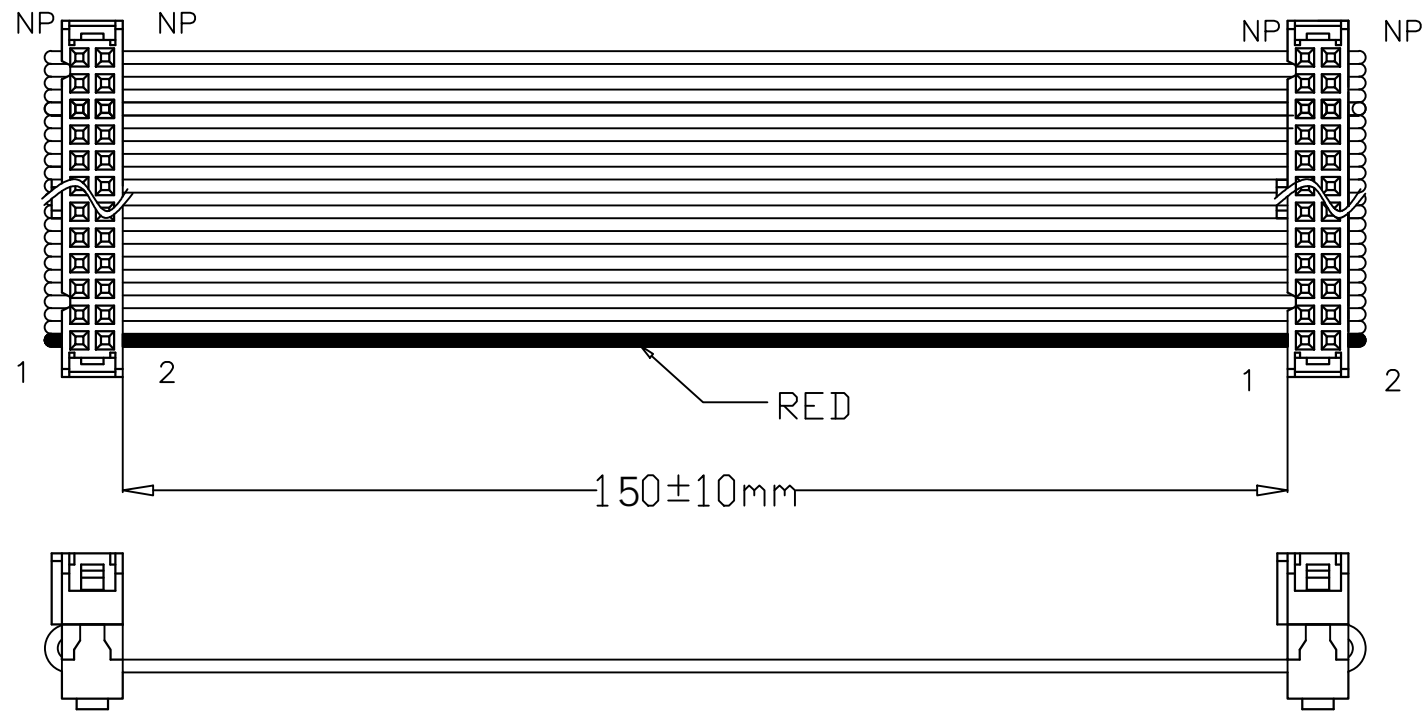


| | | |
|------|---------|------------|
| REV. | ECN NO. | DATE |
| A | N/A | 2025/10/09 |



- REMARKS :
- 100% OPEN/SHORT TEST.
 - TEST VOLTS/INSULATION RESISTANCE :
DC 7V/500KΩ.
 - INSPECTION DIMENSION: DIM L.

| 2 | FC-xxH(3) | 2 | PBT+G/F BLACK |
|------|--------------------------|------|----------------------------|
| 1 | FLC-xxP UL2651 PH=1.27mm | 1 | 28AWG GRAY L=132mm 7*0.127 |
| ITEM | DESCRIPTION | Q'TY | REMARK |

| | | | | | | | | |
|-----------|-----|------------|-----------------|-----------|----------|------------|--|------|
| SIGNATURE | | DATE | TITLE: | | CODE NO. | TOLERANCE: | 深圳市金航标电子有限公司 Shenzhen Kinghelm Electronics Co., Ltd KH-2.54FC-2X14P-150MM 0755-28190160 | |
| DRN. | GRP | 2025/10/09 | FC-xxH(3) CABLE | | --- | | | x. |
| CHK. | | | Q&T P/N: | CUS. P/N: | --- | | | .x |
| APP. | | | | | mm | | | .xx |
| | | | | | 1/1 | | | ANG. |