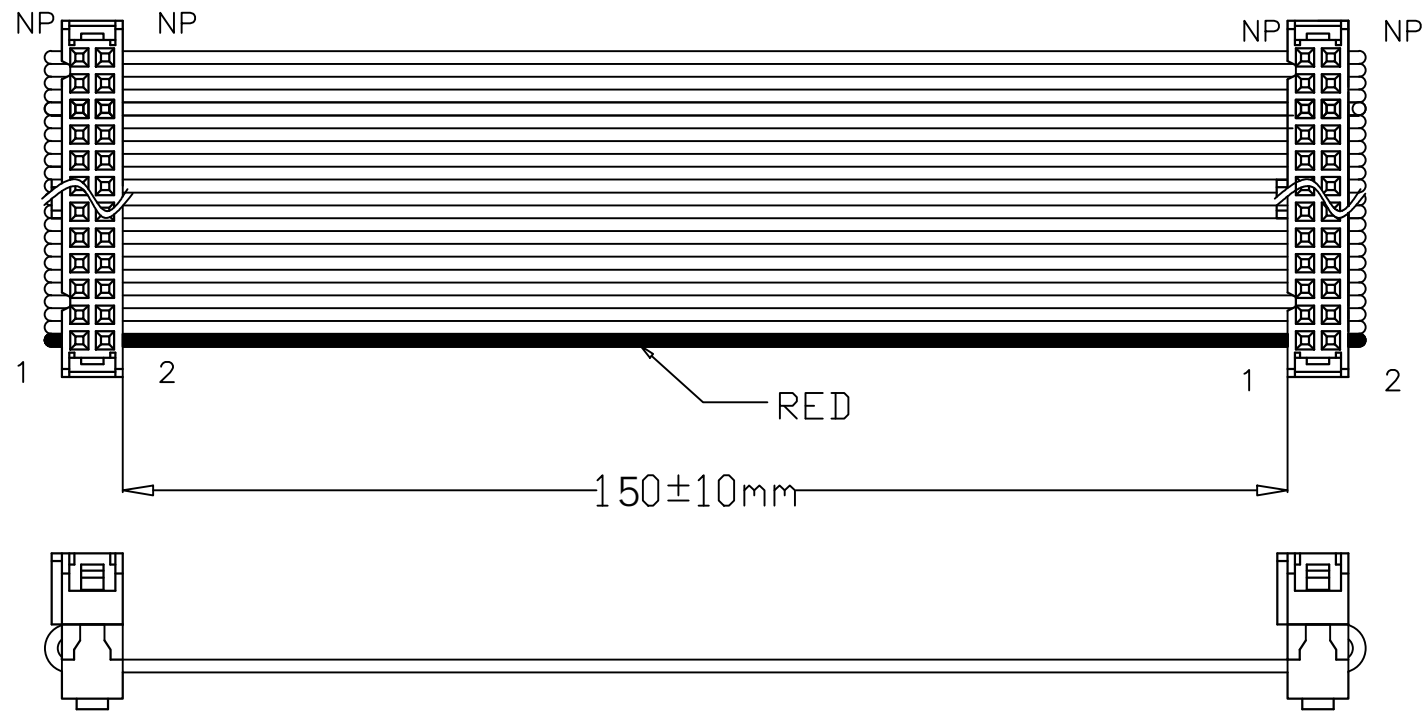


REV.	ECN NO.	DATE
A	N/A	2025/10/09



- REMARKS :
- 100% OPEN/SHORT TEST.
 - TEST VOLTS/INSULATION RESISTANCE :
DC 7V/500KΩ.
 - INSPECTION DIMENSION: DIM L.

2	FC-xxH(3)	2	PBT+G/F BLACK
1	FLC-xxP UL2651 PH=1.27mm	1	28AWG GRAY L=132mm 7*0.127
ITEM	DESCRIPTION	Q'TY	REMARK

SIGNATURE		DATE	TITLE:		CODE NO.	TOLERANCE:	深圳市金航标电子有限公司 Shenzhen Kinghelm Electronics Co., Ltd KH-2.54FC-2X11P-150MM 0755-28190160
DRN.	GRP	2025/10/09	FC-xxH(3) CABLE		CUS. NO.		
CHK.			Q&T P/N:	CUS. P/N:	SCALE		
APP.					UNIT		
					PAGE		